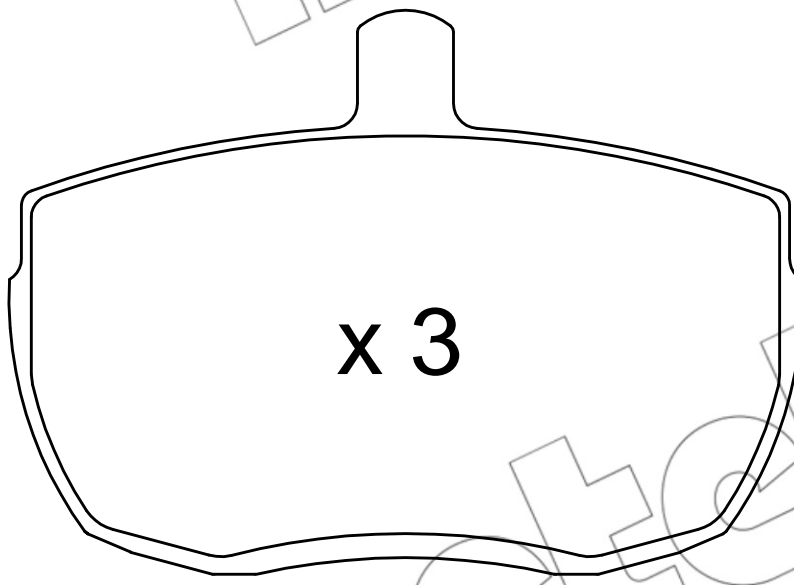
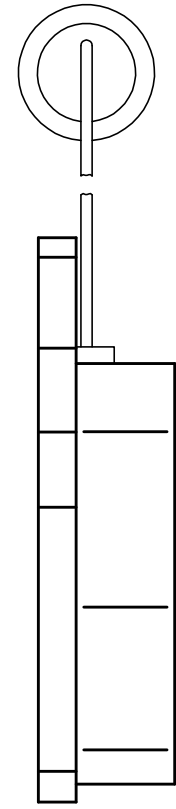
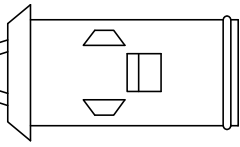
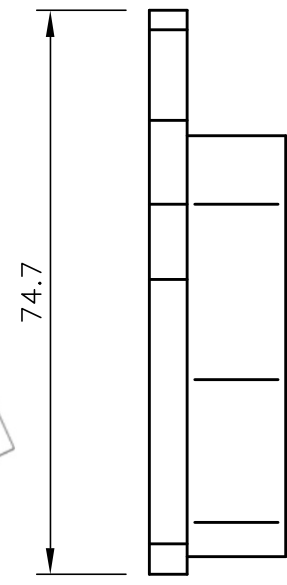


x 1

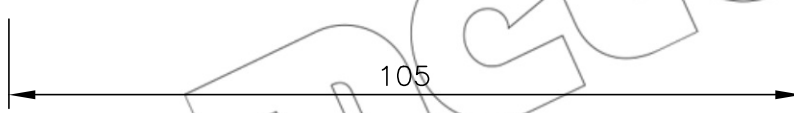
L = 210



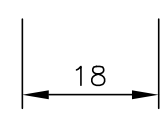
x 3



74.7



105



18