



# CLUTCHTECH

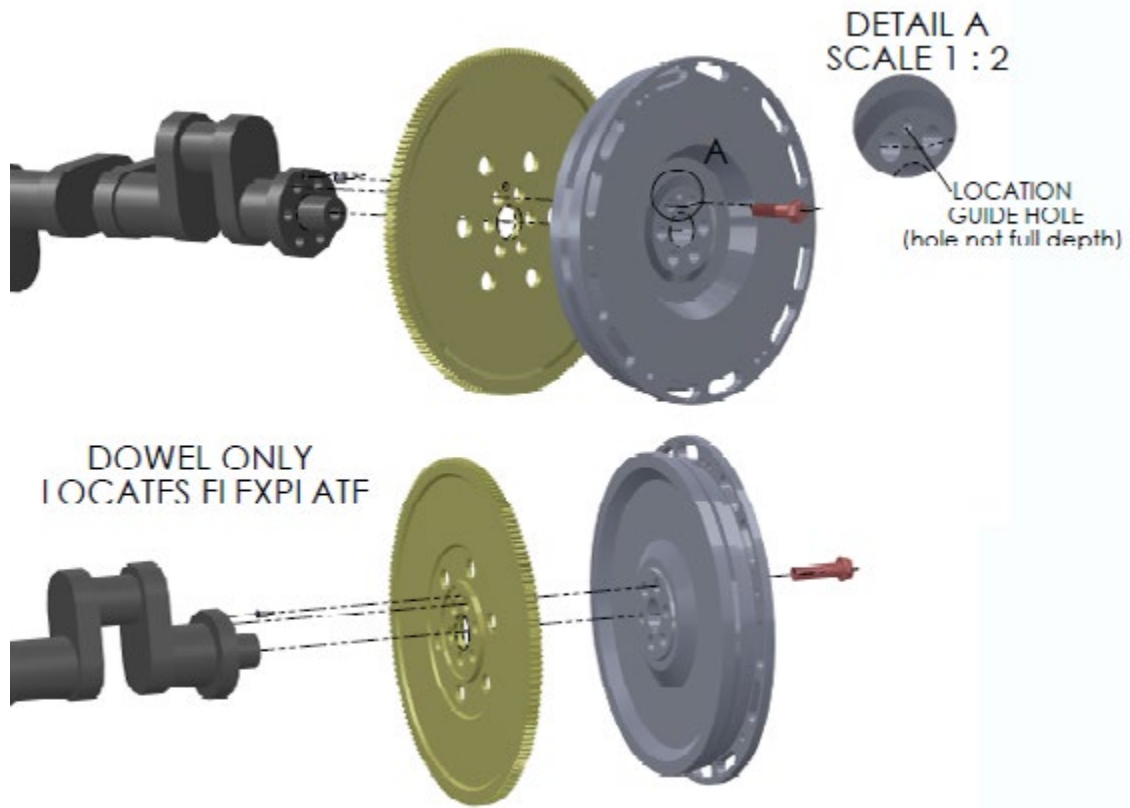


## TSB - NI12

### Important information relating to flywheels FNI108DM, FNI108 and FNI108C

The above flywheels are supplied without the ring gear and the ring gear drive plate must be removed from the old unit and used with the new flywheel.

Please note that this type of flywheel is to suit GU Nissan Patrol ZD30 engine 08/2004 on.



Replacement Flywheel Bolts to suit FWBNI108

**LEADING BRANDS**

